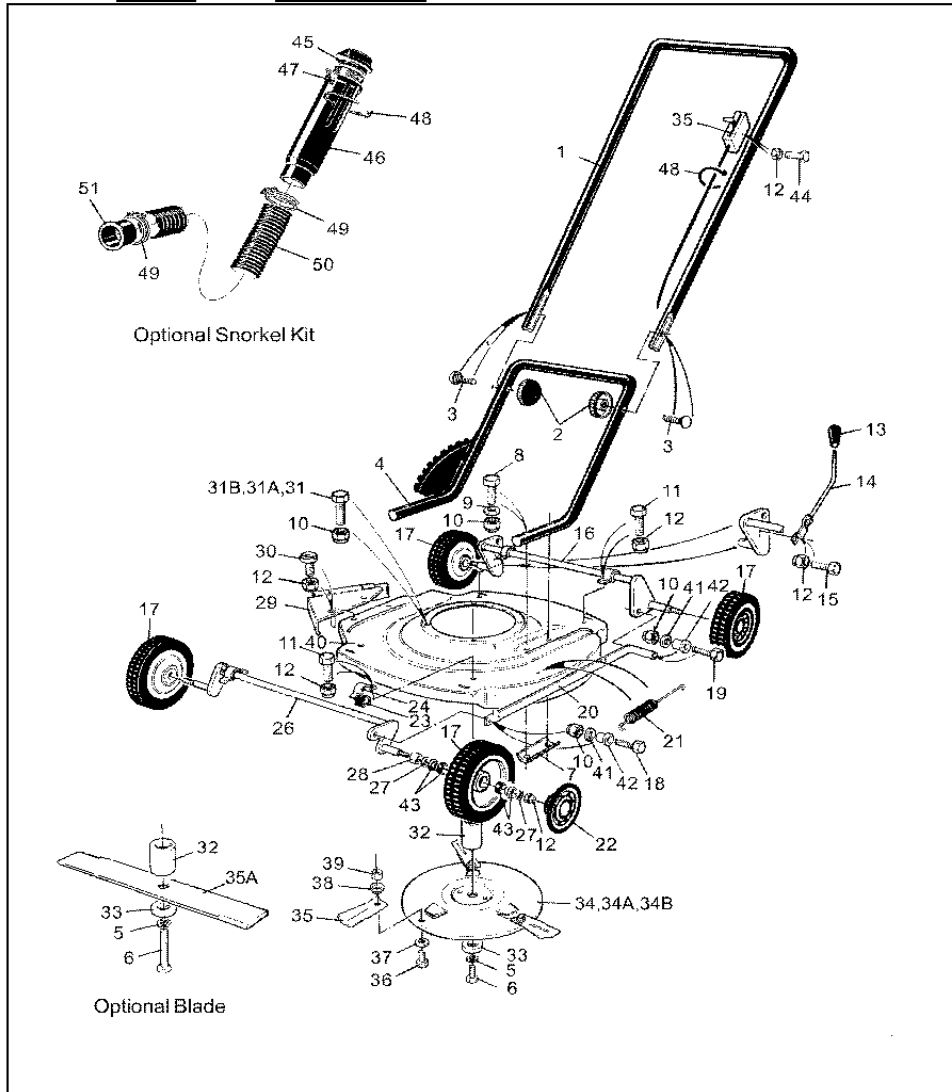


ALRITE ENGINEERING (PTY) LTD.

MIRAGE SERVICE DEALER SPARES PRICELIST

MODEL UT46 PETROL



ITEM NO. PART NO. DESCRIPTION

ITEM NO.	PART NO.	DESCRIPTION
1	U1	HANDLE
2	D8	KNOB
3	D9	ROUND HD BOLT
4	U2	HANDLE LOWER
5	AS4	WASHER SPRING
6	D43	BOLT (SPECIFY ENGINE)
7	U3	PLATE
8	D38	BOLT
9	AS9	WASHER FLAT
10	AS46	NUT NYLOC
11	6P28	CAP SCREW
12	AS54	NUT NYLOC
13	D15	KNOB
14	U4	LEVER HEIGHT ADJUSTER
15	6P76	6 X 16 SET SCREW
16	U5	AXLE REAR
17	D21B	NEW TYPE SMALL WHEEL
18	AS7	BOLT
19	Y1	BOLT
20	U6	ROD TIE ADJUSTING
21	D48	SPRING
22	D23	HUB CAP
23	U7	BUSH NYLON
24	U8	CLAMP
25	D2	CONTROL THROTTLE
26	U9	AXLE FRONT

27	BS45	WAVY WASHER
28	S41	SPACER
29	U10	SIDE CHUTE
30	BS18	SCREW
31	GS3	8 x 20 S/SCREW
31A	AS12	BOLT
31B	Y1	BOLT(Yamaha Engine)
32	D27A	BOSS - NEW TYPE
33	D29A	WASHER FOR BOSS -NEW
34	D28A	CUTTER DISC - NEW TYPE
34A	D28H3	HEAVY DUTY DISC - NEW TYPE
34B	D28Y	HEAVY DUTY DISC - YAMAHA
35	D30U	UTILITY BLADE SET COMPLETE
35A	D30D	BARBLADE NEW TYPE UTILITY
36	D45	BOLT (SOLD WITH D30U)
37	D31	WASHER (SOLD WITH D30U)
38	D32	BUSH (SOLD WITH D30U)
39	AS46	NUT
40	U11	DECK
41	D33/D34	BUSH WASHER SET
42	D33/D34	BUSH WASHER SET
43	D100	BEARINGS
44	AS21	BOLT HEX HD
45	SK1E	SNORKEL HOUSING CAP
46	SK1B	SNORKEL HOUSING
47	SK1F	SNORKEL CAP RETAINING CLIP
48	SK1G	CABLE TIE
49	SK1D	SNORKEL PIPE CLAMPS
50	SK1A	SNORKEL PIPE
51	SK1C	SNORKEL PIPE ADAPTOR BUSH