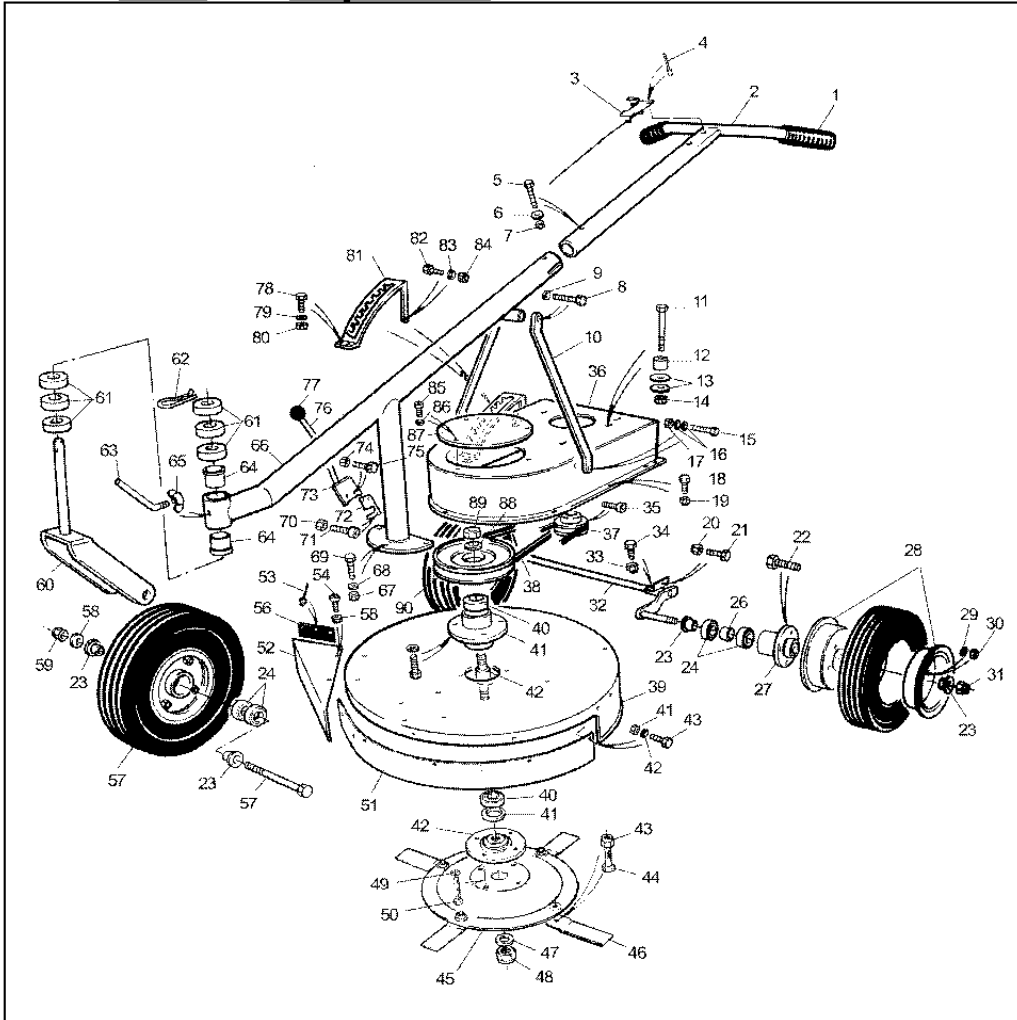


ALRITE ENGINEERING (PTY) LTD.

MIRAGE PARTS LIST

MODEL **Mirage P63/AG63**



<u>ITEM NO.</u>	<u>PART NO.</u>	<u>DESCRIPTION</u>
1	6P7	HANDLE GRIP
2	6P6	TOP HANDLE
3	6P5	THROTTLE CONTROL
4	AS57	POP RIVET
5	AS78	BOLT
6	AS3	WASHER
7	AS14	NUT
8	AS12	BOLT
9	AS3	WASHER
10	6P8A	STAY
11	AS12B	BOLT
12	ESK	SPACER
13	AS91	WASHER
14	AS46	NUT
15	BS20	SCREW
16	AS8	WASHER
17	AS46	NUT
18	GS3	BOLT
19	AS36	NUT
20	AS46	NUT
21	GS3	BOLT
22	GS3	BOLT
23	AS74	BUSH
24	AS39	BEARING
26	6P14	SPACER

27	AS38	HUB
28	AS41	RIM
29	AS8	WASHER
30	AS36	NUT
31	AS36	NUT
32	6P13	REAR AXLE
33	AS36	NUT
34	GS3A	BOLT
35	6P15	SCREW
36	6P10	CHASSIS SECTION
37	6P16	ENGINE PULLEY
38	6P17	V-BELT
39	6P21	CUTTING DECK
40	BS35	BEARING
41A	6P18	SPINDLE HOUSING
41B	BS34	FELT WASHER
42A	6P19	SPINDLE SHAFT
42B	BS40	BOSS
43	BS13	NUT
44	BS44	BOLT
45	6P31	CUTTING DISC
46	BS43	BLADE SET
47	BS42	WASHER
48	GS24/BS29	BOLT
49	AS4	SPRING WASHER
50	BS46	BOLT
51	6P22	SKIRT
52	6P23	SIDE CHUTE
53	AS57	POP RIVET
54	BS20	SCREW
56	6P24	RUBBER FLAP
57	AS75	BOLT
58	6P27	TYRE
59	AS22	NUT
60	AS85	SWIVEL YOKE
61	AS86	SPACER
62	6P100	R-CLIP
63	AS87	LEVER
64	AS88	BUSH
65	AS72	WING NUT
66	6P86A	LOWER HANDLE
67	AS46	NUT
68	AS9	WASHER
69	BS20	BOLT
70	AS22	NUT
71	6P28	SCREW
72	6P29	SPRING PLATE
74	AS22	NUT
75	6P28	SCREW
76	6P30	HEIGHT ADJUSTMENT LEVER
77	GS53	KNOB
78	GS3A	BOLT
79	AS9	WASHER
80	AS36	NUT
81	6P10A	RATCHET, HEIGHT ADJUSTMENT
82	GS3A	SCREW
83	AS9	WASHER
84	AS36	NUT
85	BS18	SCREW
86	BS19	WASHER
87	6P9	COVER PLATE
88	BS30	WASHER
89	BS28	NUT
90	BS31	PULLEY