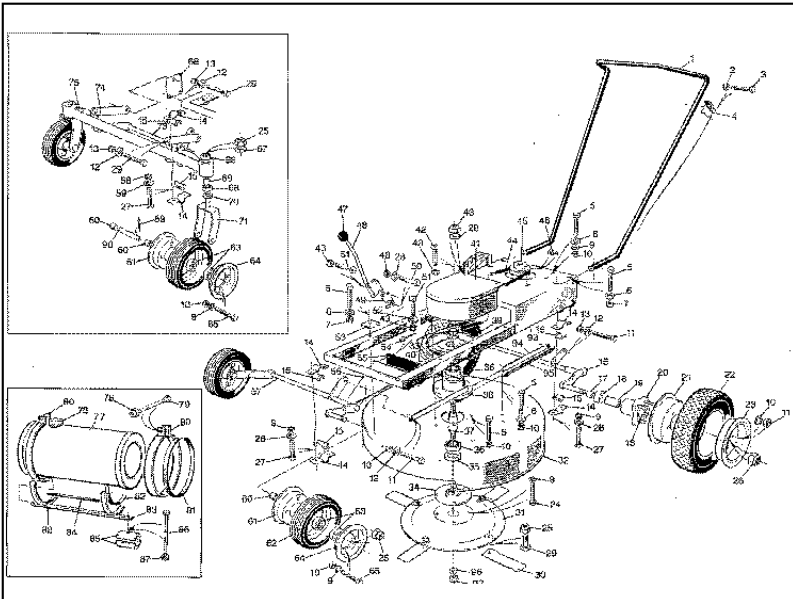


ALRITE ENGINEERING (PTY) LTD.

MIRAGE PARTS LIST

MODEL Mirage P60



ITEM NO.	PART NO.	DESCRIPTION
1	6P51	HANDLE
2	AS22	NUT NYLOC
3	6P52	BOLT
4	6P5	THROTTLE CONTROL
5	AS12	BOLT
6	AS9	WASHER FLAT
7	AS46	NUT NYLOC
8	AS9	WASHER,FLAT
9	AS4	WASHER SPRING
10	AS14	NUT HEX
11	AS16	BOLT
12	AS3	WASHER FLAT
13	AS14	NUT HEX
14	6P11	METAL CLAMP
15	6P12	NYLON BUSH SET
16	6P78	AXLE
17	6P14	BUSH
18	AS39	BEARING
19	6P44	BUSH
20	AS38	REAR WHEEL HUB P63
21	AS44	TUBE
22	6P27	TYRE
23	AS42	RIM OUTER
24	BS46	BOLT
25	BS13	NUT NYLOC
26	AS47	NUT NYLOCK
27	6P76	6 X 16 SET SCREW
28	AS62	WASHER FLAT
29	BS44	BOLT
30	BS43	BLADE SET COMPLETE
31	6P31	CUTTING DISC
32	6P79	CUTTER BASE
33	BS28	NUT
34	BS40	BOSS
35	BS34	FELT WASHER
36	BS35	BEARING
37	6P19	SPINDLESHAFT
38	6P18	SPINDLEHOUSING
39	BS31	LARGE PULLEY

40	BS30	WASHER SHAKE PROOF
41	6P56	BELT COVER
42	BS20	BOLT
43	AS36	NUT HEX-HEAD
44	6P57	V BELT
45	6P16	SMALL PULLEY
46	6P15	CAP SCREW
47	GS53	KNOB
48	6P30	HEIGHT ADJUSTER LEVER
49	6P29	SPRING PLATE
50	6P59	BOLT
51	6P60	SCREW
52	AS62	WASHER FLAT
53	6P61	FLAT WASHER 8.4 X 25 X 2 A3G
54	AS57	POP RIVET
55	6P24	RUBBER FLAP
56	6P23	SIDE CHUTE
57	6P62	AXLE
58	AS61	WASHER SPRING
59	AS62	WASHER
60	6P63	BUSH
61	BS22	INNER RIM
62	BS24	TYRE
63	BS23	BEARING
64	BS22	INNER RIM
65	AS7	BOLT
66	6P64	BRACKET
67	BS3	WASHER SPRING SEE BS20
68	GS31	BEARINGS
69	6P65	BUSH
70	GS39	WASHER FLAT
71	6P66	FORK
73	6P68	AXLE
74	6P69	LINK
75	6P70	BEAM
76	6P37	FUEL CAP
77	6P36	LARGE TANK (TANK ONLY)
78	AS22	NUT NYLOCK
79	6P52	BOLT
80	6P38	BRACKET
81	6P41	RUBBER STRIP
82	6P42	RUBBER STRIP
83	6P71	BRACKET
84	6P72	RUBBER STRIP
85	6P73	BRACKET
86	6P74	BOLT
88	6P76	RELATES TO ITEMS 27
89	AS24	SPLIT PIN
90	6P77	AXLE
91	6P78	AXLE
92	GS24/BS29	NUT
93	6P97	CHASSIS
94	6P80	ADJUSTMENT TIE ROD
95	BS5	WEIGHT COMPENSATION SPRING
96	BS45	WAVY WASHER