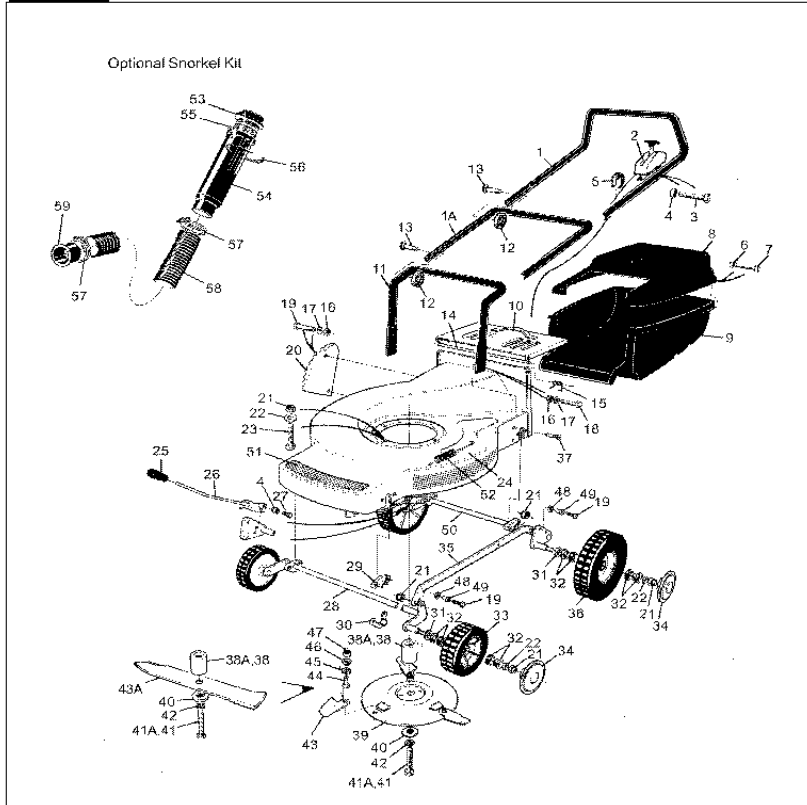


ALRITE ENGINEERING (PTY) LTD.

MIRAGE SPARE PARTS LIST

Model: D46 PETROL



ITEM NO.	PART NO.	DESCRIPTION
1	D1B	HANDLE DOUBLE FOLD TOP
1A	D1C	HANDLE DOUBLE FOLD MIDDLE
2	D2	CONTROL THROTTLE
3	AS21	BOLT HEX HD
4	AS54	NUT NYLOC
5	D3	PLASTIC CLIP
6	GS6A	NUT
7	GS6	SCREW PAN SPLIT SLOT HD
8	D4/D5	GRASSBOX COMPLETE
9	D4/D5	GRASSBOX COMPLETE
10	D6	FLAP SAFETY
11	D7	HANDLE LOWER
12	D8	KNOB
13	D9	ROUND HD BOLT
14	D10	ROD
15	D11	SPRING
16	AS36	NUT HEX-HEAD
17	AS8	WASHER SPRING
18	GS3	8 x 20 S/SCREW
19	AS7	BOLT
20	D13	RATCHET HEIGHT ADJUSTER
21	AS46	NUT NYLOC
22	AS9	WASHER FLAT
23	D38	BOLT
24	D14	DECK
25	D15	KNOB
26	D16	LEVER HEIGHT ADJUSTER
27	BS4	BOLT HEX HD
28	D17	AXLE FRONT
29	D18/D19	AXLE BUSHES
30	D18/D19	AXLE BUSHES
31	BS45	WAVY WASHER
32	D100	BEARINGS
33	D21B	FRONT WHEEL
34	D23	HUB CAP
35	D24	ROD TIE ADJUSTING
36	D25B	NEW TYPE LARGE WHEEL

37	D26	C/SUNK CROSSHEAD SCREW
38	D27A	BOSS - NEW TYPE
38A	D27Y	BOSS (YAMAHA ENGINE)
39	D28A	CUTTER DISC - NEW TYPE
39A	D28Y	CUTTER DISC HEAVY DUTY - YAMAHA
39B	D28H3	CUTTER DISC HEAVY DUTY - NEW TYPE
40	D29A	WASHER FOR BOSS - NEW
41	D43	BOLT (SPECIFY ENGINE)
41A	Y4	YAMAHA ENGINE BOLT
42	AS4	WASHER SPRING
43	D30A	BLADES TURBO SET COMPLETE
43A	D30B	BAR BLADE NEW TYPE
44	D45	BOLT (SOLD WITH D30A)
45	D31	WASHER (SOLD WITH D30A)
46	D32	BUSH (SOLD WITH D30A)
47	AS46	NUT, NYLOC
48	D33/D34	BUSH WASHER SET
49	D33/D34	BUSH WASHER SET
50	D36	AXLE REAR
51	D47	DECAL SET
52	D48	SPRING
53	SK1E	SNORKEL HOUSING CAP
54	SK1B	SNORKEL HOUSING
55	SK1F	SNORKEL CAP RETAINING CLIP
56	SK1G	CABLE TIE
57	SK1D	SNORKEL PIPE CLAMPS
58	SK1A	SNORKEL PIPE
59	SK1C	SNORKEL PIPE ADAPTOR BUSH