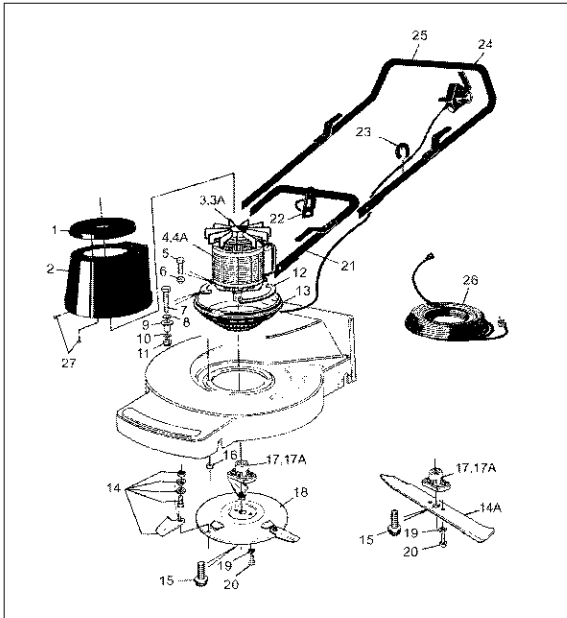


**ALRITE ENGINEERING (PTY) LTD.**

**MIRAGE SPARE PARTS LIST**

**MODEL D46 ELECTRIC**



ITEM NO.	PART NO.	DESCRIPTION
1	E1	LID MOTOR COVER
2	E2	COVER MOTOR
3A	E5ATB	FAN - ATB
3B	E5	FAN - FEMCO
4	E6ATB	2200W MOTOR (GREEN BOSS)
4A	E6ATC	2600W MOTOR (GREEN BOSS)
5	E7	COVER MOTOR BOTTOM
6	AS54	NUT
7	E8	BOLT
8	E9/E10	BUSH SET
9	E9/E10	BUSH SET
11	AS46	NUT
12	MB1	MOTOR BRACKET -STEEL
13	E7	BASKET
14	D30A	BLADE SET -TURBO
14A	D30B	BLADE - BAR
15	E13I	BOLT - ELECTRIC
17	E11ATB	BOSS GREEN
17A	E11A	BOSS YELLOW
18	D28A	CUTTING DISC
19	ESW1	WASHER
20	GS3	SCREW
21	D1C	LOWER HANDLE
22	CH1	CABLE HOOK
23	D3	CLAMP
24	E18S	SWITCH
25	D1B	HANDLE
26	E16A	CABLE 25M - 2200W
26A	E16E	CABLE 25M - 2600W
27	E18	SCREW